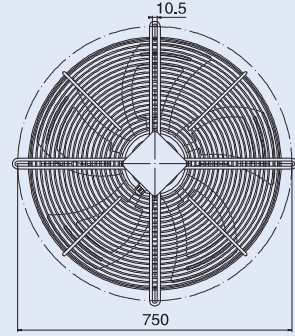
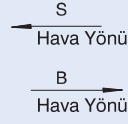
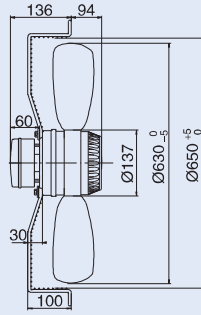


# AC AKSİYEL FANLAR $\Phi$ 630

EC AKSİYEL FANLAR



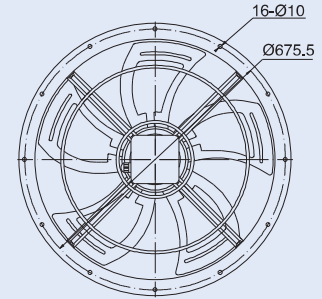
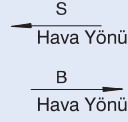
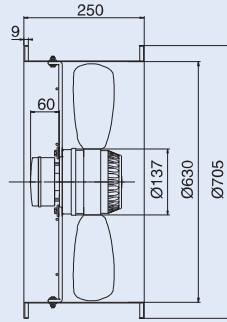
Izgaralı Fan  
Grid Fan



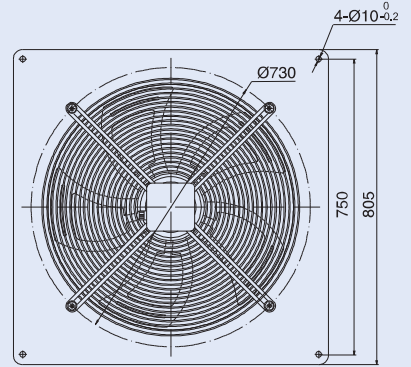
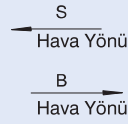
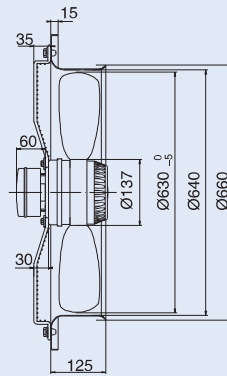
DC AKSİYEL FANLAR



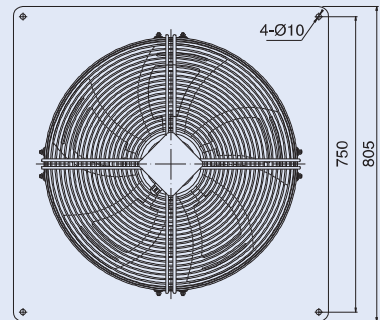
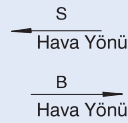
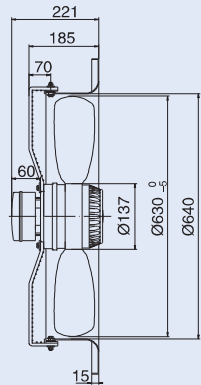
Yuvarlak Çerçevesi Fan  
Round Frame Fan



Kare Çerçevesi Fan B0  
Square Frame Fan B0



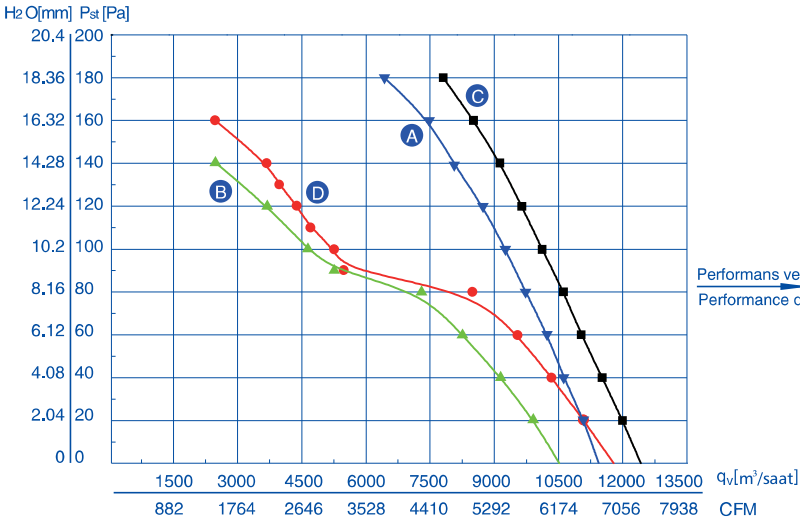
Kare Çerçevesi Fan B1  
Square Frame Fan B1





Çalışma modu : S1  
 İzolasyon sınıfı : B, F  
 Koruma sınıfı : IP44, IP54  
 Ortam sıcaklığı: -30°C~60°C  
 Sertifikalar: CCC, CE, UL  
 Hedeflenen enerji verimliliği : ErP2015  
 Mode of operation: S1  
 Insulation class: B, F  
 Type of protection: IP44, IP54  
 Ambient temperature: -30°C~60°C  
 Certificates: CCC, CE, UL  
 Target energy efficiency: ErP2015

MODEL	VOLTAJ	FREKANS	AKIM	GİRİŞ GÜCÜ	HIZ	HAVA DEBİSİ	KAPASİTÖR	SES SEVİYESİ	AĞIRLIK	EĞRİ NO.
TYPE	VOLTAGE	FREQUENCY	CURRENT	INPUT	SPEED	AIR FLOW	CAPACITANCE	NOISE	NET WEIGHT	CURVE NO.
	V	Hz	A	W	dev/dak	m <sup>3</sup> /saat	μ F	dB(A)	kg	
YWF4E-630S-137/70	220	50	3.50	750	1360	11435	16	75	15	(A)
YWF6E-630S-137/70	220	50	2.55	520	900	10515	12	71	15	(B)
YWF4D-630S-137/70	380	50	1.60	800	1320	12420	/	75	15	(C)
YWF6D-630S-137/70	380	50	1.45	550	900	11785	/	71	15	(D)



CURVE NO. EĞRİ NO.	PRESSURE BASINÇ Pa	SPEED HIZ dev/dak	INPUT GİRİŞ GÜCÜ W	CURRENT AKIM A	AIR FLOW HAVA DEBİSİ m <sup>3</sup> /saat
(A)	20	1390	718	3.33	11080
	80	1365	807	3.80	9725
	160	1320	944	4.46	7480
(B)	20	925	508	2.80	9910
	80	895	582	3.09	7295
	120	860	674	3.45	3690
(C)	20	1370	768	1.56	12000
	80	1340	870	1.71	10615
	160	1315	982	1.85	8510
(D)	20	920	574	1.57	11080
	80	900	649	1.63	8485
	120	880	724	1.68	4380